



SunPower® E-Series Commercial Solar Panels | E20-327-COM

Helix™ Compatible Modules

Factory-installed flanges enable tool-free panel installation, decreasing installation time and minimizing business disruption.¹

More than 20% Efficiency

Captures more sunlight and generates more power than Conventional Panels.

High Performance

Delivers excellent performance in real world conditions, such as high temperatures, clouds and low light.^{2,3,5}

Commercial Grade

Optimized to maximize returns and energy production, the E-Series panel is a bankable solution for commercial solar applications.



Maxeon® Solar Cells: Fundamentally better.
Engineered for performance, designed for reliability.

Engineered for Peace of Mind

Designed to deliver consistent, trouble-free energy over a very long lifetime.^{4,5}

Designed for Reliability

The SunPower Maxeon Solar Cell is the only cell built on a solid copper foundation. Virtually impervious to the corrosion and cracking that degrade Conventional Panels.⁴

#1 Rank in Fraunhofer durability test.¹⁰
100% power maintained in Atlas 25+ comprehensive Durability test.¹¹

High Performance & Excellent Reliability



SPR-E20-327-COM

Helix-compatible version now available

High Efficiency⁶

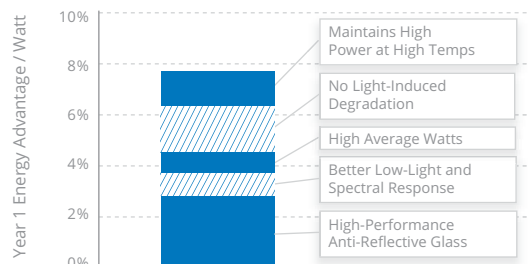
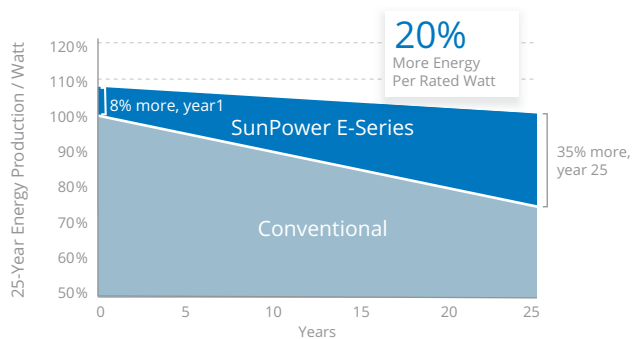
Generate more energy per square foot

E-Series commercial panels convert more sunlight to electricity producing 31% more power per panel,² and 60% more energy per square foot over 25 years.^{2,3,4}

High Energy Production⁷

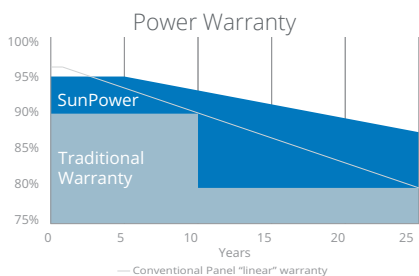
Produce more energy per rated watt

More energy to power your operations. High year one performance delivers 7-9% more energy per rated watt.³ This advantage increases over time, producing 20% more energy over the first 25 years to meet your needs.⁴

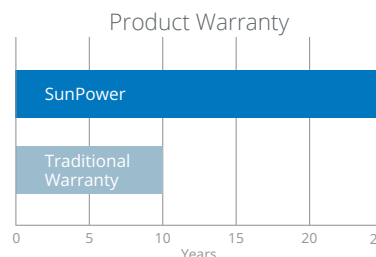


SunPower® E-Series Commercial Solar Panels | E20-327-COM

Sunpower Offers The Best Combined Power And Product Warranty



More guaranteed power: 95% for first 5 years, -0.4%/yr. to year 25.⁸



Combined Power and Product defect 25 year coverage that includes panel replacement costs.⁹

Electrical Data

	SPR-E20-327-COM	SPR-E19-310-COM
Nominal Power (P _{nom}) ¹²	327 W	310 W
Power Tolerance	+5/-3%	+5/-3%
Avg. Panel Efficiency ¹³	20.3%	19.3%
Rated Voltage (V _{mpp})	54.7 V	54.7 V
Rated Current (I _{mpp})	5.98 A	5.67 A
Open-Circuit Voltage (V _{oc})	64.9 V	64.4 V
Short-Circuit Current (I _{sc})	6.46 A	6.05 A
Max. System Voltage	1000 V UL & 1000 V IEC	
Maximum Series Fuse	15 A	
Power Temp Coef.	-0.38% / °C	
Voltage Temp Coef.	-176.6 mV / °C	
Current Temp Coef.	3.5 mA / °C	

Tests And Certifications

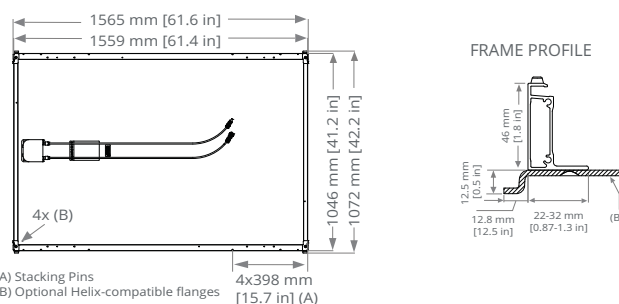
Standard tests ¹⁴	UL1703 (Type 2 Fire Rating), IEC 61215, IEC 61730
Quality Certs	ISO 9001:2008, ISO 14001:2004
EHS Compliance	RoHS, OHSAS 18001:2007, lead free, REACH SVHC-155, PV Cycle
Sustainability	Cradle to Cradle (eligible for LEED points) ¹⁵
Ammonia Test	IEC 62716
Desert Test	10.1109/PVSC.2013.6744437
Salt Spray Test	IEC 61701 (maximum severity)
PID Test	Potential-Induced Degradation free: 1000 V ¹⁰
Available listings	UL, CEC, TUV, JET, MCS, FSEC

Operating Condition And Mechanical Data

Temperature	-40° F to +185° F (-40° C to +85° C)
Impact Resistance	1 inch (25mm) diameter hail at 52 mph (23 m/s)
Appearance	Class B
Solar Cells	96 Monocrystalline Moxeon Gen II
Tempered Glass	High transmission tempered Anti-Reflective
Junction Box	IP-65, MC4 Compatible
Weight	41 lbs (18.6 kg)
Max. Load	Wind: 50 psf, 2400 Pa front & back Snow: 112 psf, 5400 Pa front
Frame	Class 2 silver anodized; stacking pins

REFERENCES:

- Helix™ compatible modules may not be compatible with other racking systems.
- All comparisons are SPR-E20-327 vs. a representative conventional panel: 250W, approx. 1.6 m², 15.3% efficiency.
- Typically 7-9% more energy per watt, BEW/DNV Engineering "SunPower Yield Report," Jan 2013.
- SunPower 0.25%/yr degradation vs. 1.0%/yr conv. panel. Campeau, Z. et al. "SunPower Module Degradation Rate," SunPower white paper, Feb 2013; Jordan, Dirk "SunPower Test Report," NREL, Q1-2015.
- "SunPower Module 40-Year Useful Life" SunPower white paper, May 2015. Useful life is 99 out of 100 panels operating at more than 70% of rated power.
- Second highest, after SunPower X-Series, of over 3,200 silicon solar panels, Photon Module Survey, Feb 2014.
- 78% more energy than the average of the top 10 panel companies tested in 2012 (151 panels, 102 companies), Photon International, Feb 2013.
- Compared with the top 15 manufacturers. SunPower Warranty Review, May 2015.
- Some restrictions and exclusions may apply. See warranty for details.
- 5 of top 8 panel manufacturers tested in 2013 report, 3 additional panels in 2014. Ferrara, C., et al. "Fraunhofer PV Durability Initiative for Solar Modules: Part 2". Photovoltaics International, 2014.
- Compared with the non-stress-tested control panel. Atlas 25+ Durability test report, Feb 2013.
- Standard Test Conditions (1000 W/m² irradiance, AM 1.5, 25° C). NREL calibration Standard: SOMS current, LACCS FF and Voltage.
- Based on average of measured power values during production.
- Type 2 fire rating per UL1703:2013, Class C fire rating per UL1703:2002.
- See sales person for details.



Please read the safety and installation guide.
 Flanges installed on Helix-compatible modules only.
 Flanges are not removable and may not be compatible with non-Helix racking.

See www.sunpower.com/facts for more reference information.
 For more details, see extended datasheet: www.sunpower.com/datasheets.

Document # 515662 REVA /LTR_US